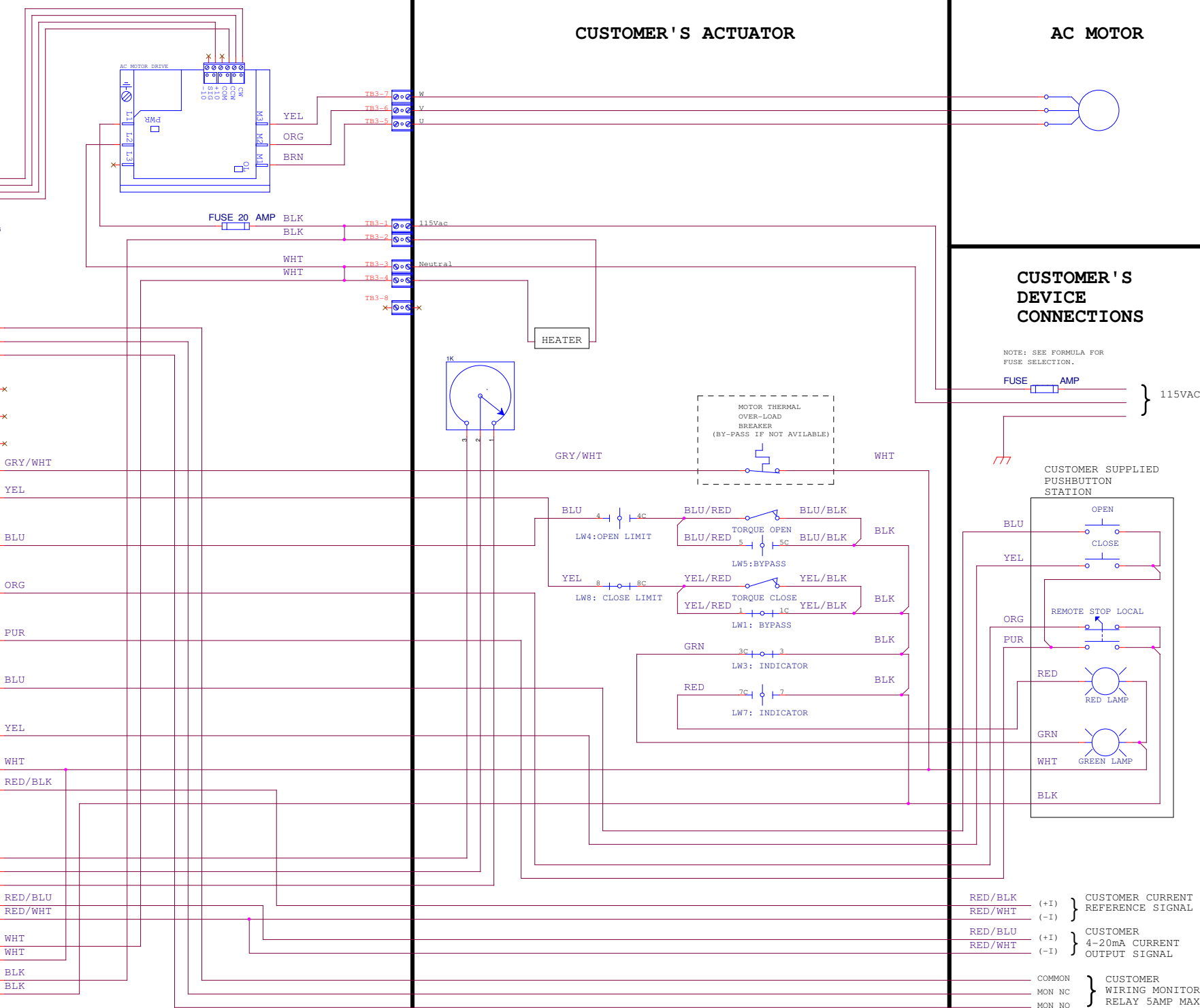
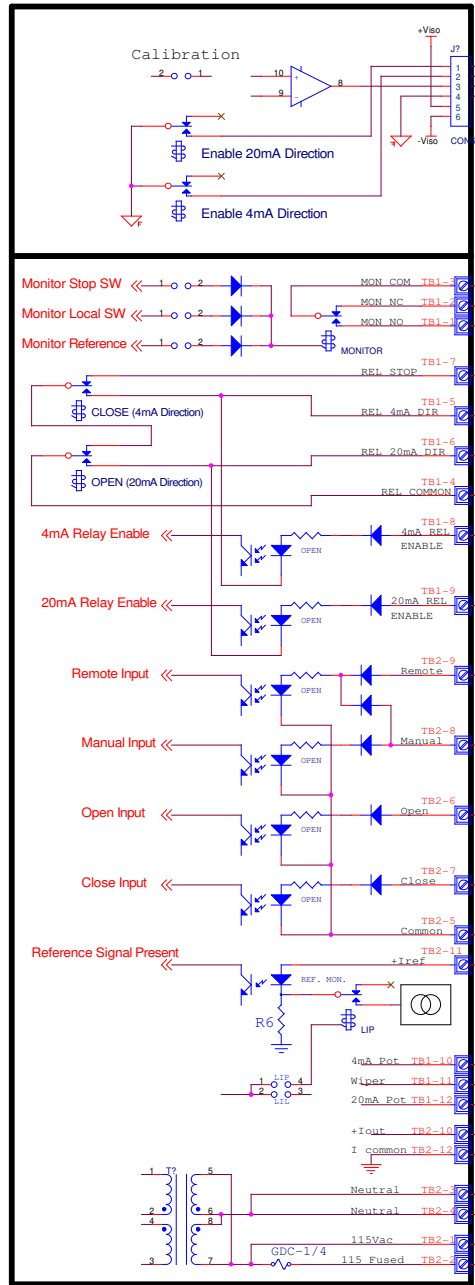


**MOD 2000 AC UNIT
(115V Single Phase)**

CUSTOMER'S ACTUATOR

AC MOTOR



GEAR CASE (TOP)	
ROTOR 1	ROTOR 2
LIMIT 4	LIMIT 8
LIMIT 3	LIMIT 7
LIMIT 2	LIMIT 6
LIMIT 1	LIMIT 5

GEAR CASE (TOP)	
ROTOR 3	ROTOR 4
LIMIT 4	LIMIT 8
LIMIT 3	LIMIT 7
LIMIT 2	LIMIT 6
LIMIT 1	LIMIT 5

CUSTOMER'S DEVICE CONNECTIONS

NOTE: SEE FORMULA FOR FUSE SELECTION.



ROTOR	LIMIT SWITCH CONTACT USAGE				FUNCTION
	FULL OPEN	MID TRAVEL	FULL CLOSED		
1	1				BY-PASS CIR
	2				SPARE
	3				IND. LIGHT OPEN LIMIT
	4				BY-PASS CIR
2	5				SPARE
	6				SPARE
	7				IND. LIGHT CLOSE LIMIT
	8				SPARE
3	9				SPARE
	10				SPARE
	11				SPARE
	12				SPARE
4	13				SPARE
	14				SPARE
	15				SPARE
	16				SPARE

USER INTERFACE T.B.

1	2	3	4	5	6	7	8	9	10	11	12	13	14	15
L1	L2	L3	C L1	C L1	C L2	C L2		+ OUT	- COM	+ IN		T1	T2	T3

CONTROL 115V 4-20mA

CALCULATION IN PRIMARY FUSE: (FUSE MUST BE EITHER A TIME-DELY OR TIME-LAG FUSE SUTABLE FOR MOTOR AND SIGNAL APPLICATIONS.)

DATE	JDR 4/1/99	B-E ELECTRONICS CO., INC.	
CHECKED		1184-B Flintstone Drive Tucker, GA 30084 PH: (770) 939-0459 FAX: (770) 939-0438	
TITLE		MOD2000 ACTUATOR WIRING DIAGRAM (115V Single Phase)	
APPROVED		PROPRIETARY NOTICE THIS DOCUMENT CONTAINS INFORMATION WHICH B-E ELECTRONICS DEEMS CONFIDENTIAL AND PROPRIETARY. THEREFORE, THIS DOCUMENT AND ITS INFORMATION IS NOT TO BE USED, DUPLICATED, OR DISCLOSED IN WHOLE OR IN PART, IN ANY FORM, WITHOUT THE WRITTEN CONSENT OF B-E ELECTRONICS.	
DATE	Tuesday, January 28, 2003	REV.	-
REV.	D 4536	REV. NO./PART NO.	BE10237-002
SHEET	1	OF	1