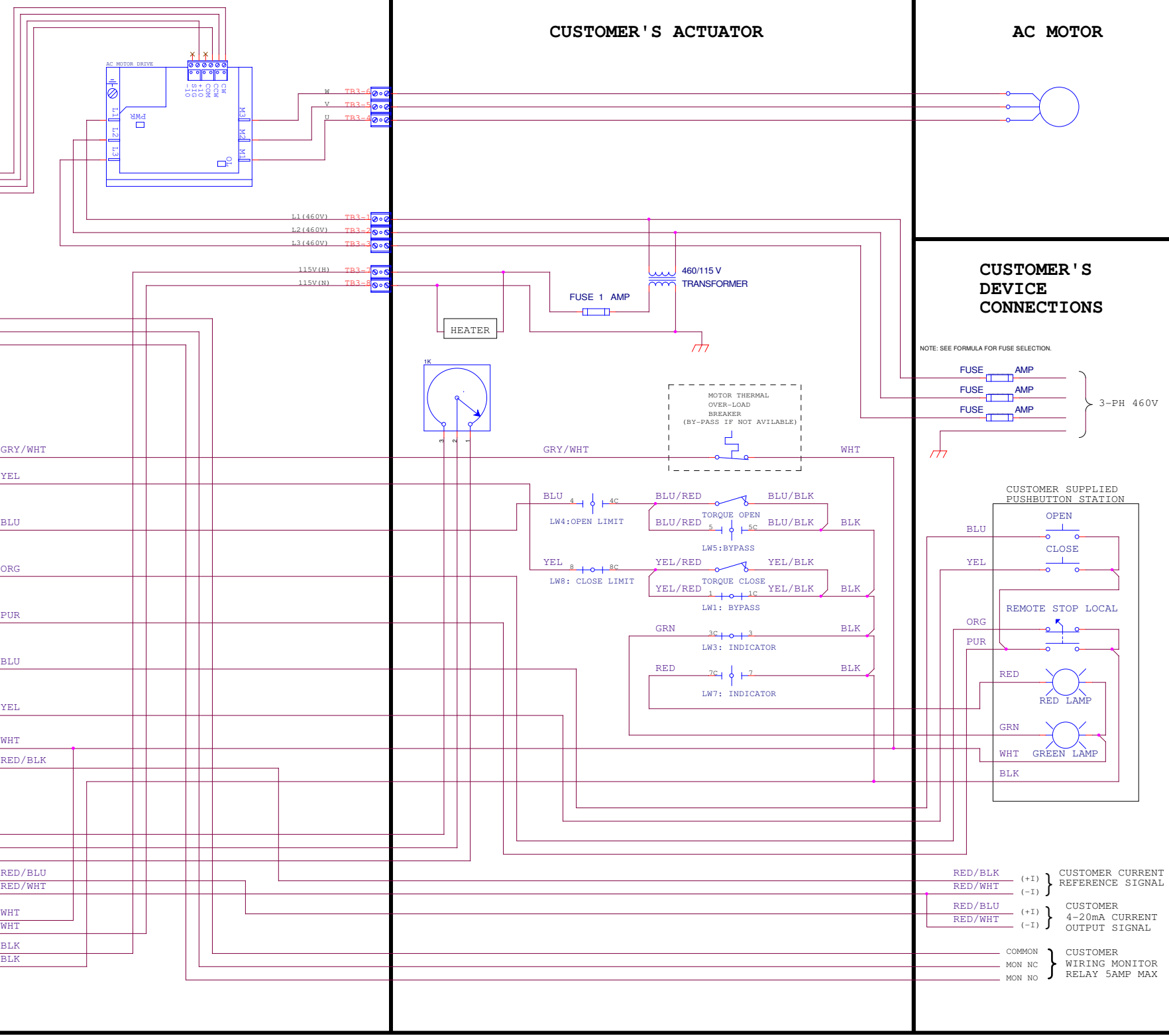
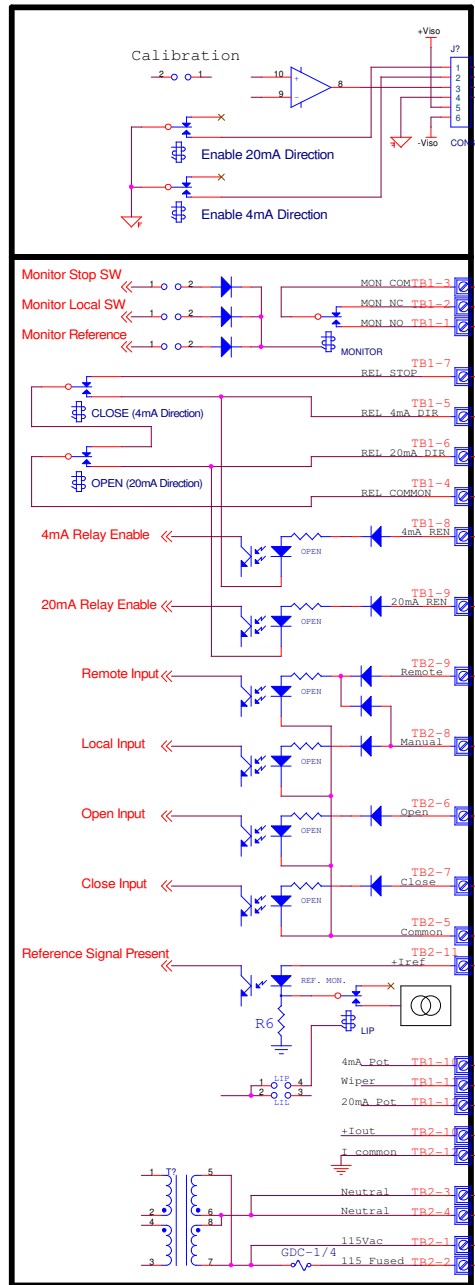


**MOD 2000 AC UNIT  
(3-PH 460V)**

**CUSTOMER'S ACTUATOR**

**AC MOTOR**



GEAR CASE (TOP)		GEAR CASE (TOP)	
ROTOR 1	ROTOR 2	ROTOR 3	ROTOR 4
LIMIT 4	LIMIT 8	LIMIT 4	LIMIT 8
LIMIT 3	LIMIT 7	LIMIT 3	LIMIT 7
LIMIT 2	LIMIT 6	LIMIT 2	LIMIT 6
LIMIT 1	LIMIT 5	LIMIT 1	LIMIT 5

**CUSTOMER'S DEVICE CONNECTIONS**

NOTE: SEE FORMULA FOR FUSE SELECTION.

ROTOR SWITCH	LIMIT SWITCH CONTACT USAGE				FUNCTION
	FULL OPEN	MID TRAVEL	FULL CLOSED		
1					BY-PASS CIR
2					SPARE
3					IND. LIGHT OPEN LIMIT
4					BY-PASS CIR
5					SPARE
6					IND. LIGHT CLOSE LIMIT
7					SPARE
8					SPARE
9					SPARE
10					SPARE
11					SPARE
12					SPARE
13					SPARE
14					SPARE
15					SPARE
16					SPARE

USER INTERFACE T.B.

1	2	3	4	5	6	7	8	9	10	11	12	13	14	15
L1	L2	L3	C L1	C L1	C L2	C L2		+	-	+		T1	T2	T3

CONTROL 115V      4-20mA

CALCULATION IN PRIMARY FUSE: (FUSE MUST BE EITHER A TIME-DELY OR TIME LAG FUSE SUTABLE FOR MOTOR AND SIGNAL APPLICATIONS.)

DATE: 4/1/99

**B-E ELECTRONICS CO., INC.**

1184-B Flintstone Drive Tucker, GA 30084 | PH: (770) 939-0459 | FAX: (770) 939-0438

TITLE: MOD 2000 ACTUATOR WIRING DIAGRAM ( 3-Ph 460V )

PROPRIETARY NOTICE: THIS DOCUMENT CONTAINS INFORMATION WHICH B-E ELECTRONICS DEEMS CONFIDENTIAL AND PROPRIETARY. THEREFORE, THIS DOCUMENT AND ITS INFORMATION IS NOT TO BE USED, DUPLICATED, OR DISCLOSED IN WHOLE OR IN PART, IN ANY FORM, WITHOUT THE WRITTEN CONSENT OF B-E ELECTRONICS.

REV. D      4538      B-E10273-002

DATE: Tuesday, January 28, 2003      SHEET: 1 OF 1