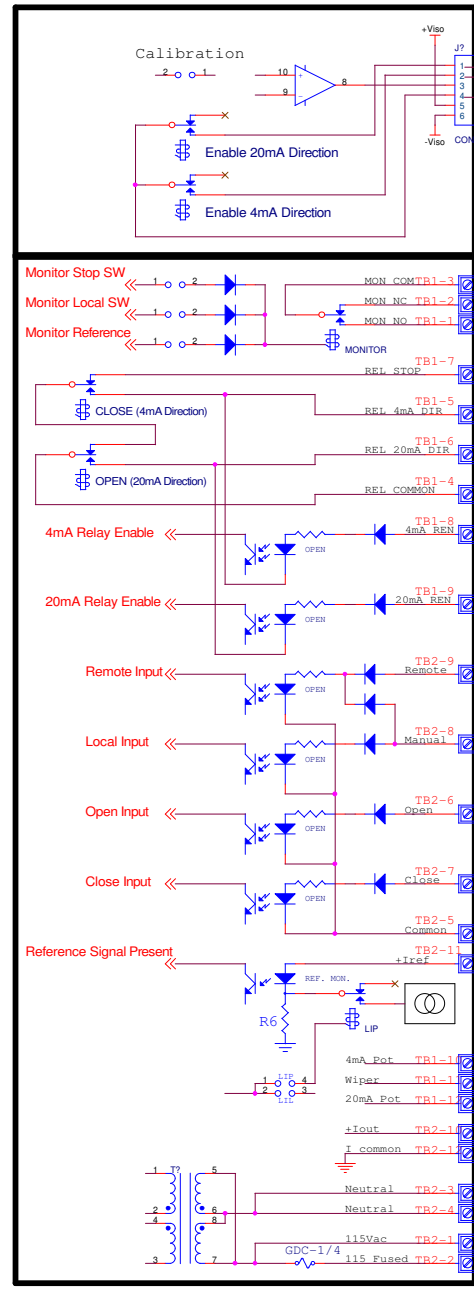
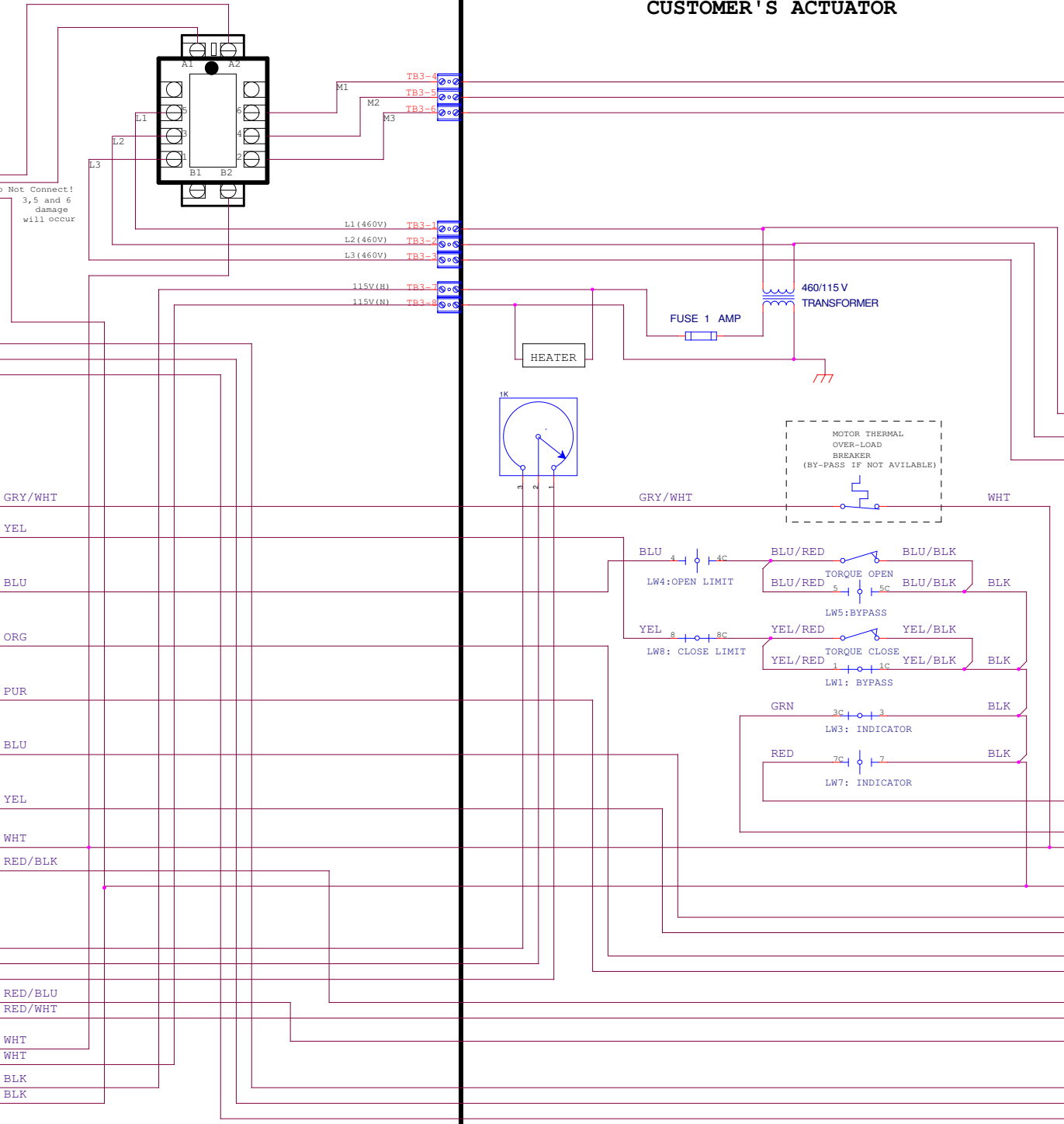


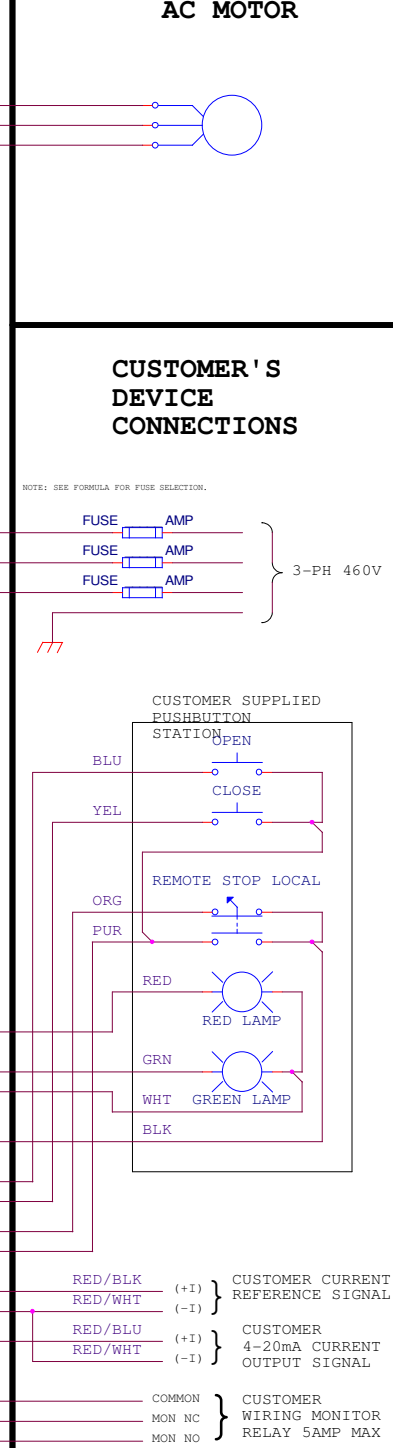
**MOD 2000 AC UNIT
(3-PH 460V)
Solid State Reverser**



CUSTOMER'S ACTUATOR



AC MOTOR



| GEAR CASE (TOP) | |
|-----------------|---------|
| ROTOR 1 | ROTOR 2 |
| LIMIT 4 | LIMIT 8 |
| LIMIT 3 | LIMIT 7 |
| LIMIT 2 | LIMIT 6 |
| LIMIT 1 | LIMIT 5 |

| GEAR CASE (TOP) | |
|-----------------|---------|
| ROTOR 3 | ROTOR 4 |
| LIMIT 4 | LIMIT 8 |
| LIMIT 3 | LIMIT 7 |
| LIMIT 2 | LIMIT 6 |
| LIMIT 1 | LIMIT 5 |

| ROTOR | LIMIT SWITCH | LIMIT SWITCH CONTACT USAGE | | | | FUNCTION |
|-------|--------------|----------------------------|------------|-------------|---|---------------------------|
| | | FULL OPEN | MID TRAVEL | FULL CLOSED | | |
| 1 | 1 | ■ | | | | BY-PASS CIR |
| | 2 | ■ | | | | SPARE |
| | 3 | ■ | ■ | ■ | ■ | IND. LIGHT OPEN LIMIT |
| | 4 | ■ | ■ | ■ | ■ | BY-PASS CIR |
| 2 | 5 | | | | ■ | SPARE |
| | 6 | ■ | ■ | ■ | ■ | IND. LIGHT CLOSE LIMIT |
| | 7 | ■ | ■ | ■ | ■ | SPARE |
| | 8 | ■ | ■ | ■ | ■ | SPARE |
| 3 | 9 | ■ | | | | SPARE |
| | 10 | ■ | | | | SPARE |
| | 11 | ■ | ■ | ■ | ■ | SPARE |
| | 12 | ■ | ■ | ■ | ■ | SPARE |
| 4 | 13 | | | ■ | | SPARE |
| | 14 | | | ■ | | SPARE |
| | 15 | ■ | ■ | ■ | ■ | SPARE |
| | 16 | ■ | ■ | ■ | ■ | SPARE |

USER INTERFACE T.B.

| 1 | 2 | 3 | 4 | 5 | 6 | 7 | 8 | 9 | 10 | 11 | 12 | 13 | 14 | 15 |
|--------------|----|----|------|------|------|--------|---|-------|-------|------|----|----|----|----|
| L1 | L2 | L3 | C L1 | C L1 | C L2 | C L2 | | + OUT | - COM | + IN | | T1 | T2 | T3 |
| CONTROL 115V | | | | | | 4-20mA | | | | | | | | |

CAUTION: IN PRIMARY FUSE: (FUSE MUST BE EITHER A TIME-DELAY OR TIME-LAG FUSE SUITABLE FOR MOTOR AND SIGNAL APPLICATIONS.)

B-E ELECTRONICS CO., INC.
2184-B Flintstone Drive | Tucker, GA 30084 | PH: (770) 939-8409 | FAX: (770) 939-0438

MOD 2000 ACTUATOR WIRING DIAGRAM (3-Ph 460V) SSR

PROPRIETARY NOTICE
THIS DOCUMENT CONTAINS INFORMATION WHICH B-E ELECTRONICS DEEMS CONFIDENTIAL AND PROPRIETARY. THEREFORE, THIS DOCUMENT AND ITS INFORMATION IS NOT TO BE USED, REPRODUCED, OR DISCLOSED IN WHOLE OR IN PART, IN ANY FORM, WITHOUT THE WRITTEN CONSENT OF B-E ELECTRONICS.

REV. NO. 4616
DATE Monday, February 03, 2003

SHEET 1 of 1