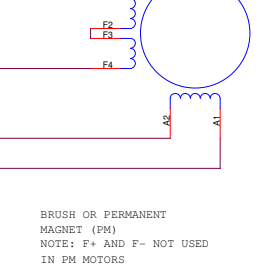
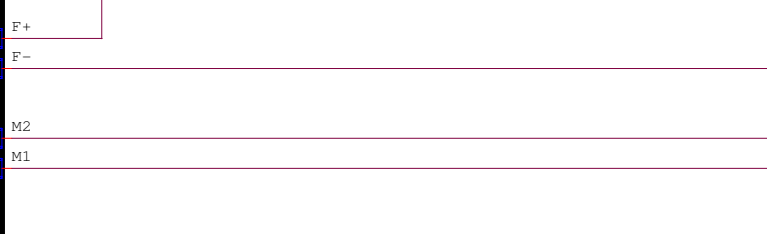
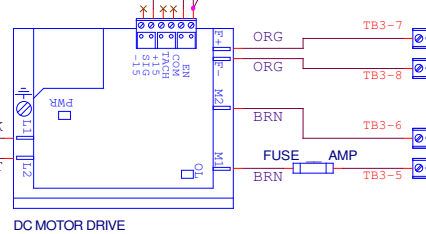
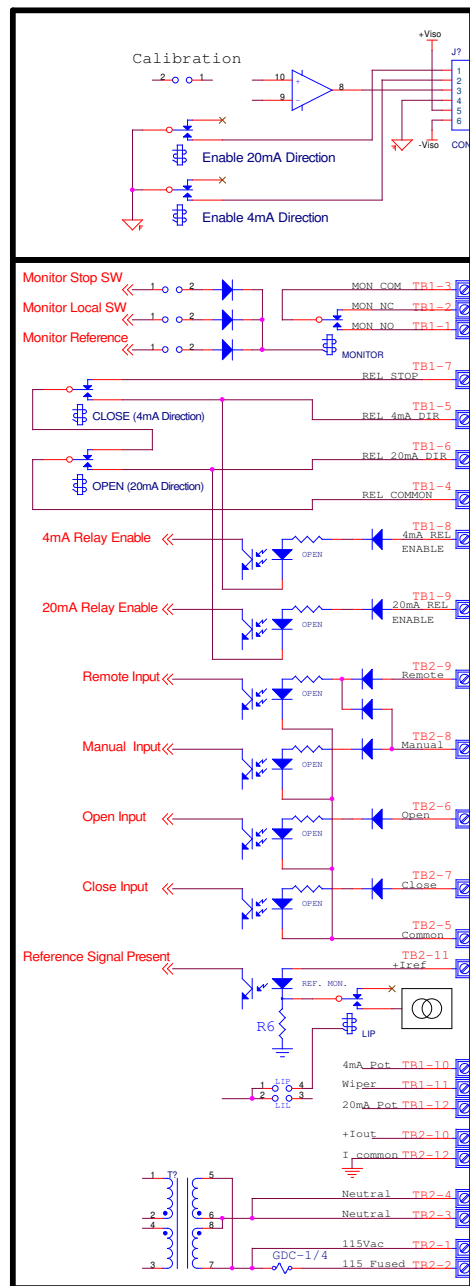


MOD 2000 DC UNIT

CUSTOMER'S ACTUATOR

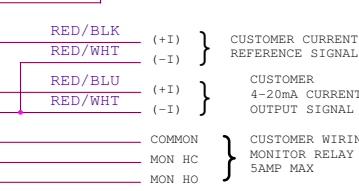
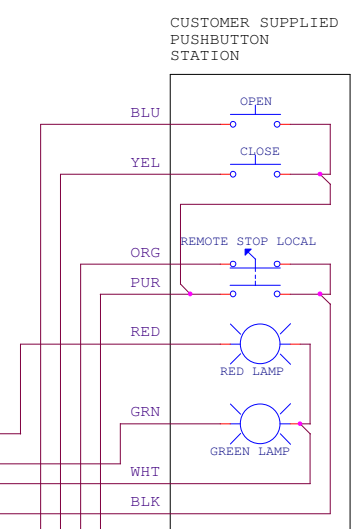
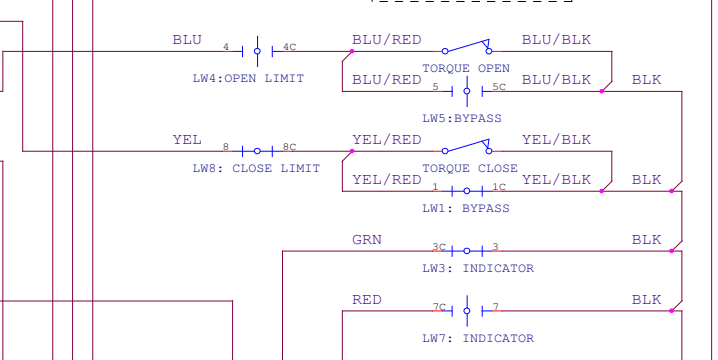
DC MOTOR

MOTOR BRUSH DC



CUSTOMER'S DEVICE CONNECTIONS

NOTE: SEE FORMULA FOR FUSE SELECTION.



GEAR CASE (TOP)

ROTOR 1	ROTOR 2
LIMIT 4	LIMIT 8
LIMIT 3	LIMIT 7
LIMIT 2	LIMIT 6
LIMIT 1	LIMIT 5

GEAR CASE (TOP)

ROTOR 3	ROTOR 4
LIMIT 4	LIMIT 8
LIMIT 3	LIMIT 7
LIMIT 2	LIMIT 6
LIMIT 1	LIMIT 5

LIMIT SWITCH CONTACT USAGE

ROTOR	LIMIT SWITCH	VALVE POSITION			FUNCTION
		FULL OPEN	MID TRAVEL	FULL CLOSED	
1	1	█			BY-PASS CIR
	2	█			SPARE
	3	█			IND. LIGHT
	4	█			OPEN LIMIT
2	5			█	BY-PASS CIR
	6			█	SPARE
	7	█			IND. LIGHT
	8	█			CLOSE LIMIT
3	9	█			SPARE
	10	█			SPARE
	11	█			SPARE
	12	█			SPARE
4	13			█	SPARE
	14			█	SPARE
	15	█			SPARE
	16	█			SPARE

USER INTERFACE T.B.

1	2	3	4	5	6	7	8	9	10	11	12	13	14	15
L1	L2	L3	C L1	C L1	C L2	C L2		+	-	+	M1	M2	F+	F-

CONTROL 115V

4-20mA

CALCULATION IN PRIMARY FUSE: (FUSE MUST BE EITHER A TIME-DELY OR TIME-LAG FUSE SUTABLE FOR MOTOR AND SIGNAL APPLICATIONS.)

PRIMARY FUSE (AMPS min.) = (MOTOR FIELD AMPS + MOTOR ARMATURE FULL LOAD AMPS + 1.16 AMPS) x 1.15

DATE: Thursday, February 06, 2003

TIME: 10:00 AM

BY: JDR

REV: 1

4535

BE10273-1

1 OF 1

**B-E ELECTRONICS CO., INC.**

2114-B Flintstone Drive Tucker, GA 30084 PH: (770) 939-3459 FAX: (770) 939-3438

MOD2000 ACTUATOR WIRING DIAGRAM

PROPRIETARY NOTICE: THIS DOCUMENT CONTAINS INFORMATION WHICH B-E ELECTRONICS DEEMS CONFIDENTIAL AND PROPRIETARY. THEREFORE, THIS DOCUMENT AND ITS INFORMATION IS NOT TO BE USED, DUPLICATED, OR DISCLOSED IN WHOLE OR IN PART, IN ANY FORM, WITHOUT THE WRITTEN CONSENT OF B-E ELECTRONICS.