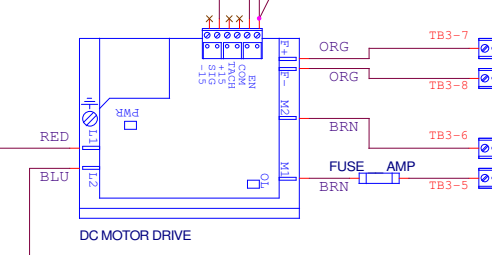
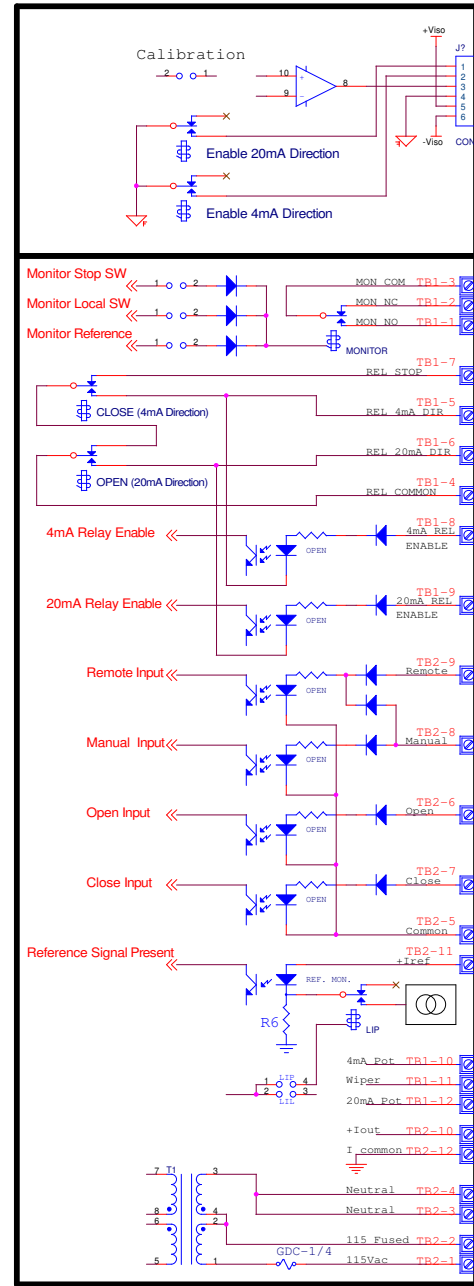


MOD 2000 DC UNIT

CUSTOMER'S ACTUATOR

DC MOTOR

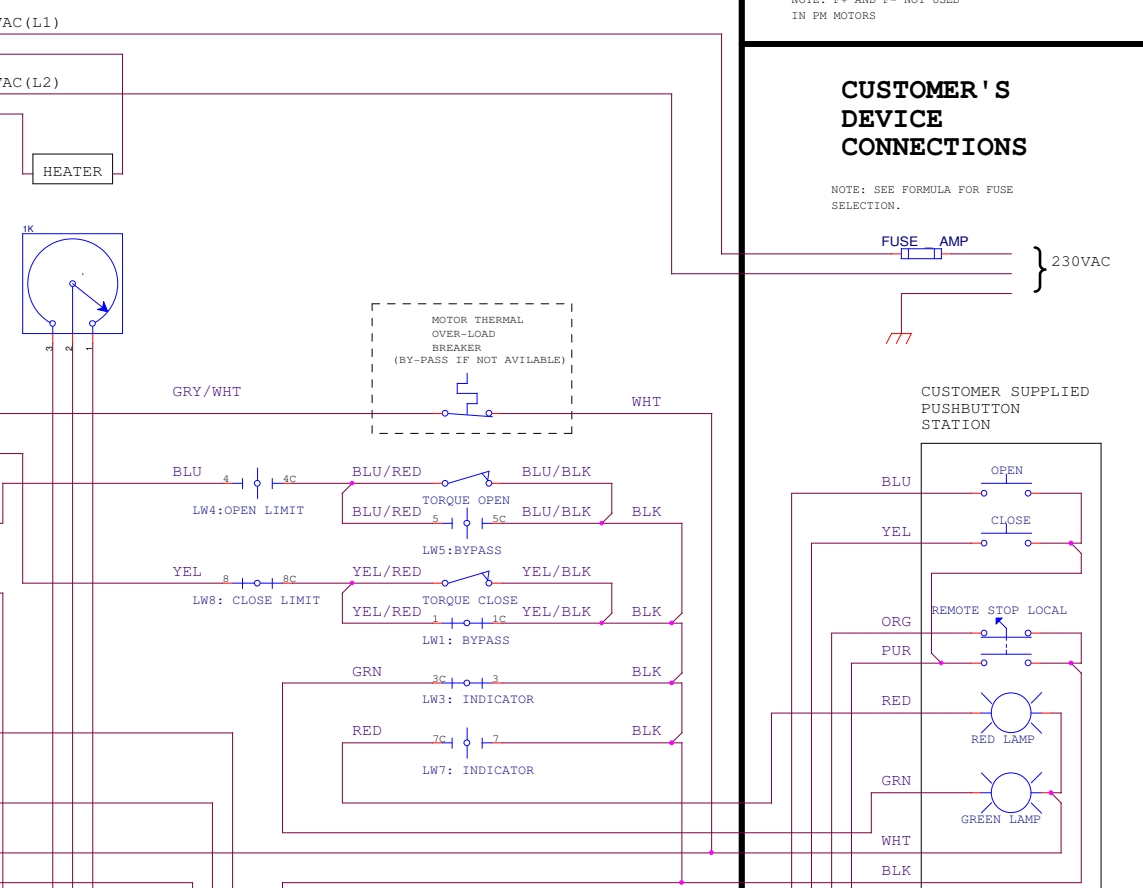
MOTOR BRUSH DC



BRUSH OR PERMANENT
MAGNET (PM)
NOTE: F+ AND F- NOT USED
IN PM MOTORS

**CUSTOMER'S
DEVICE
CONNECTIONS**

NOTE: SEE FORMULA FOR FUSE
SELECTION.



- RED/BLK (+I) } CUSTOMER CURRENT REFERENCE SIGNAL
- RED/WHT (-I) }
- RED/BLU (+I) } CUSTOMER 4-20mA CURRENT OUTPUT SIGNAL
- RED/WHT (-I) }
- COMMON } CUSTOMER WIRING
- MON HC } MONITOR RELAY
- MON HO } 5AMP MAX

GEAR CASE (TOP)		GEAR CASE (TOP)	
ROTOR 1	ROTOR 2	ROTOR 3	ROTOR 4
LIMIT 4	LIMIT 8	LIMIT 4	LIMIT 8
LIMIT 3	LIMIT 7	LIMIT 3	LIMIT 7
LIMIT 2	LIMIT 6	LIMIT 2	LIMIT 6
LIMIT 1	LIMIT 5	LIMIT 1	LIMIT 5

ROTOR	LIMIT SWITCH	LIMIT SWITCH CONTACT USAGE				FUNCTION
		FULL OPEN	MID TRAVEL	FULL CLOSED		
1	1	█				BY-PASS CIR
	2	█				SPARE
	3	█				IND. LIGHT OPEN LIMIT
	4	█				BY-PASS CIR
2	5					SPARE
	6					IND. LIGHT CLOSE LIMIT
	7	█				SPARE
	8	█				SPARE
3	9	█				SPARE
	10	█				SPARE
	11		█			SPARE
	12		█			SPARE
4	13			█		SPARE
	14			█		SPARE
	15	█				SPARE
	16	█				SPARE

USER INTERFACE T.B.

1	2	3	4	5	6	7	8	9	10	11	12	13	14	15
L1	L2	L3	C L1	C L1	C L2	C L2		+ OUT	- COM	+ IN	M1	M2	F+	F-
CONTROL 115V					4-20mA									

CALCULATION IN PRIMARY FUSE: (FUSE MUST BE EITHER A TIME-DELY OR TIME-LAG FUSE SUTABLE FOR MOTOR AND SIGNAL APPLICATIONS.)

PRIMARY FUSE (AMPS MIN.) = (MOTOR FIELD AMPS + MOTOR ARMATURE FULL LOAD AMPS + 1.16 AMPS) x 1.15

DRAWN	JDR 4/1/99		PROPRIETARY NOTICE
CHECKED			THIS DOCUMENT CONTAINS INFORMATION WHICH B-E ELECTRONICS DEEMS CONFIDENTIAL AND PROPRIETARY. THEREFORE, THIS DOCUMENT AND ITS INFORMATION IS NOT TO BE USED, DUPLICATED, OR DISCLOSED IN WHOLE OR IN PART, IN ANY FORM, WITHOUT THE WRITTEN CONSENT OF B-E ELECTRONICS.
APPROVED		TITLE	MOD2000 ACTUATOR WIRING DIAGRAM
DATE	Monday, June 16, 2003	REV.	D
		DATE	Monday, June 16, 2003
		SHEET	1 OF 1