

MOD2000 TB ASSIGNMENT

TB2

12	I COM
11	I REF
10	I OUT
9	Remote
8	Manual
7	4mA (close)
6	20mA (open)
5	COM
4	115 NEUT
3	115 NEUT
2	115 VAC FUSED
1	115 VAC

INPUTS

TB1

12	20 mA SIDE
11	Wiper
10	4 mA SIDE
9	20 mA REL (open) ENABLE
8	4 mA REL (close) ENABLE
7	Stopped
6	20mA (Open)
5	4mA (Close)
4	COM
3	COM
2	N.C.
1	N.O.

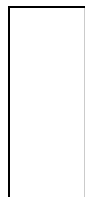
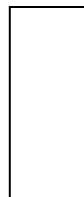
POTENTIOMETER

RELAY

MONITOR

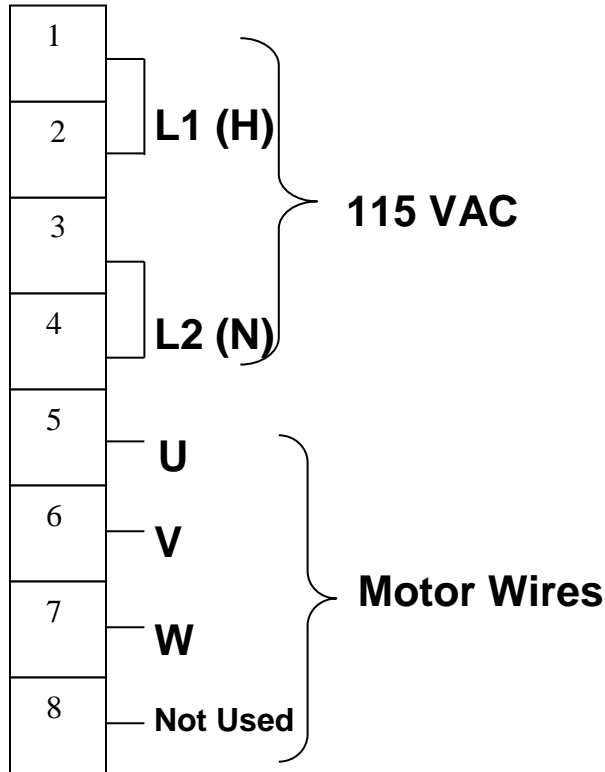
TB2

TB1



TB3 - 115 VAC Single Phase Unit

(Main Chassis Terminal Block)



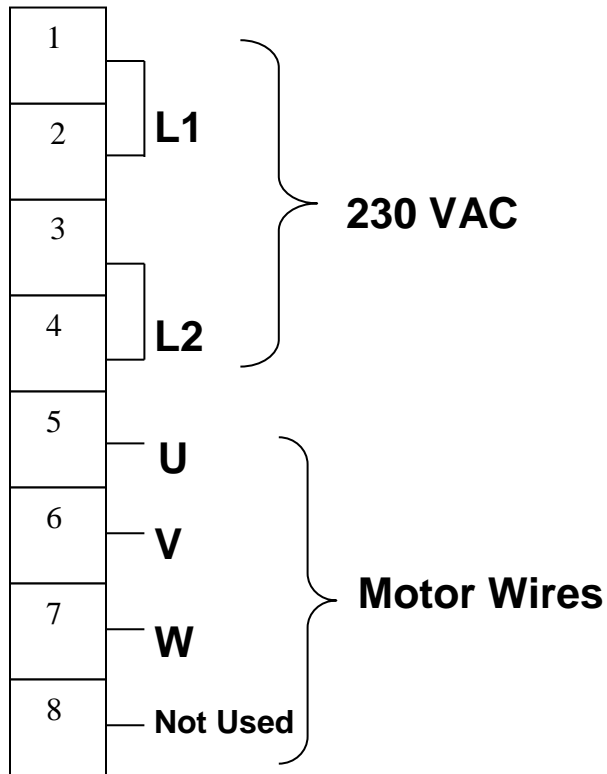
Drive Wiring

L1	----	Black Wire	}	14 AWG
L2	----	White Wire		
U	----	Brown Wire		
V	----	Orange Wire		
W	----	Yellow Wire		
GND	----	Green Wire		

P1	----	BLACK Wire	}	22 AWG
P2	----	WHITE Wire		
R	----	RED Wire		
F	----	BLUE Wire		

TB3 - 230 VAC Single Phase Unit

(Main Chassis Terminal Block)



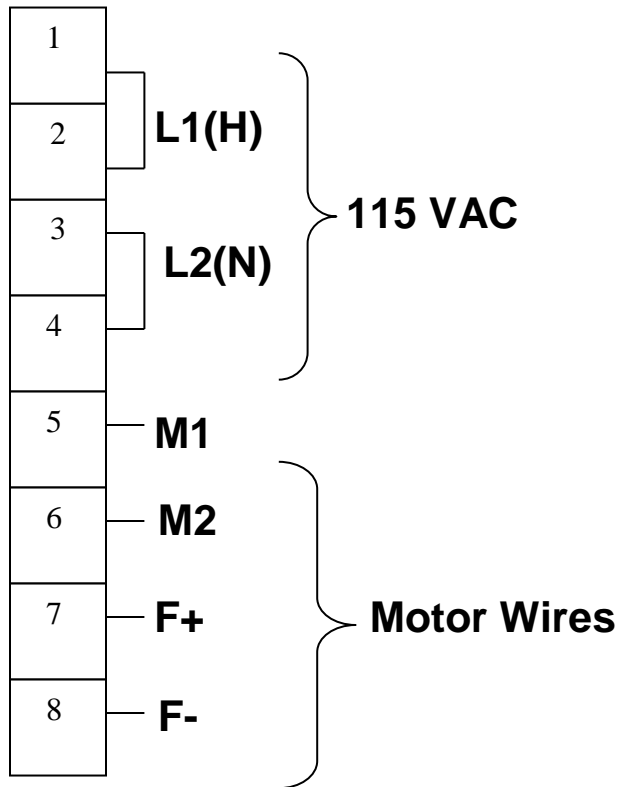
Drive Wiring

L1	----	Red Wire	}	14 AWG
L2	----	Blue Wire		
U	----	Brown Wire		
V	----	Orange Wire		
W	----	Yellow Wire		
GND	----	Green Wire		

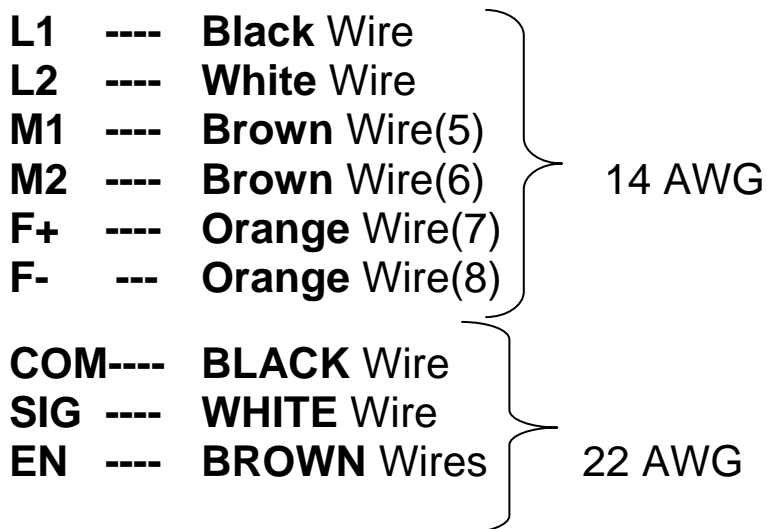
P1	----	BLACK Wire	}	22 AWG
P2	----	WHITE Wire		
R	----	RED Wire		
F	----	BLUE Wire		

TB3 - 100 VDC Unit

(Main Chassis Terminal Block)

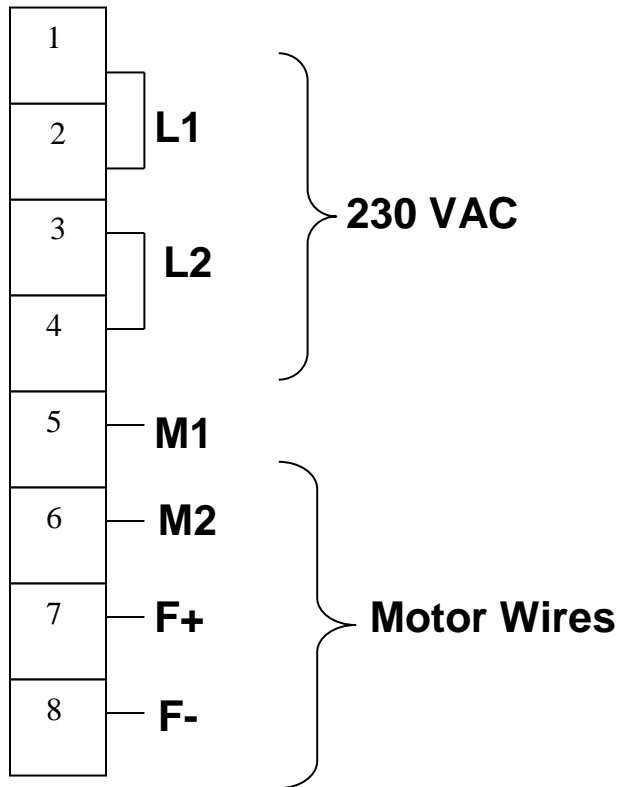


Drive Wiring



TB3 - 200 VDC Unit

(Main Chassis Terminal Block)

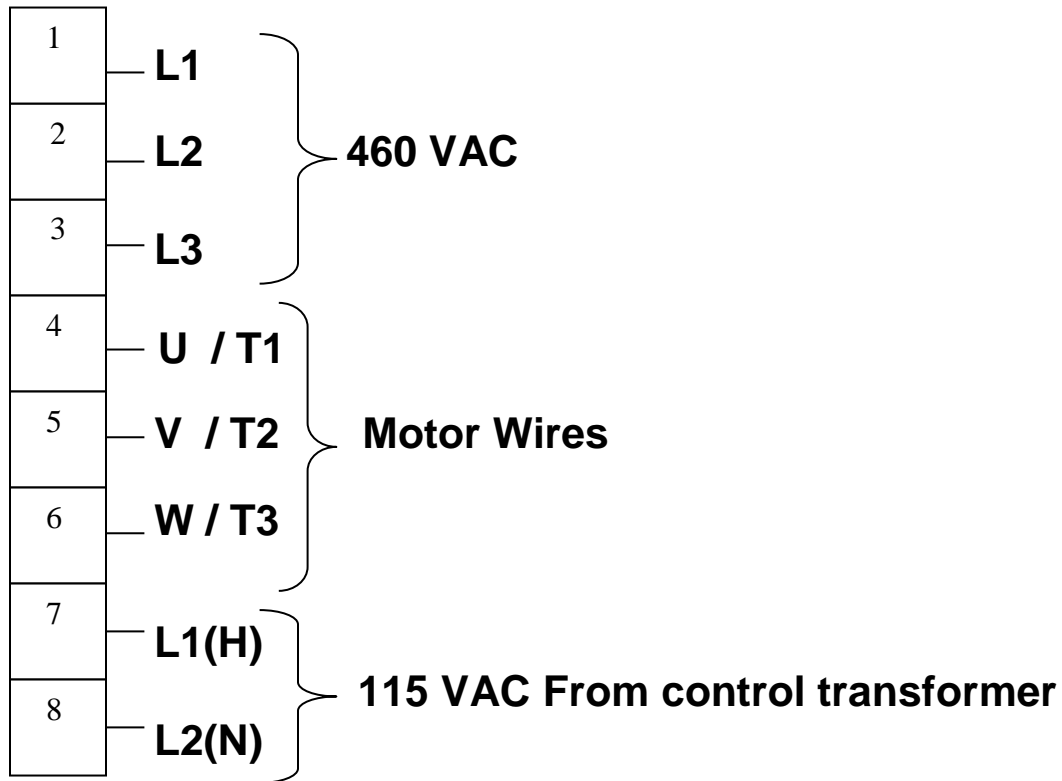


Drive Wiring

L1	----	Red Wire	}	14 AWG
L2	----	Blue Wire		
M1	----	Brown Wire(5)		
M2	----	Brown Wire(6)		
F+	----	Orange Wire(7)		
F-	----	Orange Wire(8)		
COM	----	BLACK Wire	}	22 AWG
SIG	----	WHITE Wire		
EN	----	BROWN Wires		

TB3 - 460 VAC Three Phase Unit

(Main Chassis Terminal Block)



Drive Wiring

L1	----	Black Wire	14 AWG
L2	----	White Wire	
L3	----	Red Wire	
U / T1	----	Black Wire	
V / T2	----	Black Wire	
W / T3	----	Black Wire	

12	----	Green Wire	22 AWG
13A	----	Red Wire	
2	----	Black Wire	
5	----	White Wire	
1-2	----	Jumper	

